

INTEGRATED RANGEHOOD

WRI500SB, WRI700SB

WELCOME TO WESTINGHOUSE

Thank you for purchasing an Westinghouse appliance. You've chosen a product that brings with it decades of professional experience and innovation. Ingenious and stylish, it has been designed with you in mind. So whenever you use it, you can be safe in the knowledge that you'll get great results every time.

Welcome to Westinghouse.

LEGEND

The symbols you will see in this booklet have these meanings:



WARNING!

This symbol indicates information concerning your personal safety



CAUTION!

This symbol indicates information on how to avoid damaging the rangehood



IMPORTANT!

This symbol indicates tips and information about use of the rangehood



ENVIRONMENT!

This symbol indicates tips and information about economical and ecological use of the rangehood

CONDITIONS OF USE

This appliance is intended to be used in household and similar applications such as:

- Staff kitchen areas in shops, offices and other working environments
- Farm houses
- By clients in hotels, motels and other residential type environments
- Bed and breakfast type environments.
- Catering and similar non-retail applications

CONTENTS

- 3 **Important safety instructions**
- 4 **Installation**
- 6 **Operation and maintenance**
- 7 **Warranty**

RECORD MODEL AND SERIAL NUMBER HERE:

Model:

Serial No:

IMPORTANT INFORMATION THAT MAY IMPACT YOUR MANUFACTURER'S WARRANTY

Adherence to the directions for use in this manual is extremely important for health and safety. Failure to strictly adhere to the requirements in this manual may result in personal injury, property damage and affect your ability to make a claim under the Electrolux manufacturer's warranty provided with your product. Products must be used, installed and operated in accordance with this manual. You may not be able to claim on the Electrolux manufacturer's warranty in the event that your product fault is due to failure to adhere this manual.

SAFETY INSTRUCTIONS

Please read this manual carefully prior to installing and using the rangehood in order to avoid damage or injury. The manufacturer will not accept liability for damage caused from not following these instructions. If you need assistance contact Customer Care. Please keep the manual for future reference and pass it on to any new owners of the appliance.



ENVIRONMENT!

Remove and discard any packaging material before using this accessory. Most of the packaging materials are recyclable. Please dispose of those materials through your local recycling depot or by placing them in the appropriate collection containers.



WARNING!

- This appliance is not intended for use by persons (including children) with reduced physical, sensory or mental capabilities, or lack of experience and knowledge, unless they have been given supervision or instruction concerning use of the appliance by a person responsible for their safety. Children should be supervised to ensure that they do not play with the appliance.
- Ensure the rangehood is switched off before carrying out maintenance, to avoid any possibility of electric shock.
- Grease filters must be removed every four weeks (maximum) for cleaning to reduce the risk of fire.
- Do not flambe or have an exposed flame under the rangehood.
- This rangehood is not recommended for barbecues.
- The exhaust air from the rangehood must not be discharged into any heating flue, which may carry combustion products from other sources.
- Exhaust air must not be discharged into a wall cavity, unless the cavity is designed for the purpose.
- There must be adequate ventilation of the room when the rangehood is used at the same time as appliances burning gas or other fuels.
- Always cover lit gas burners with pots or pans when the rangehood is in use.
- Always switch off gas burners before you remove pots or pans.



CAUTION

- Accessible parts may become hot when used with cooking appliance.
- Regulations concerning the discharge of air have to be fulfilled.
- Failure to install the screws or fixing device in accordance with these instructions may result in electrical hazards.
- In order to avoid a hazard due to inadvertent resetting of the thermal cut-out, this appliance must not be supplied through an external switching device, such as a timer, or connected to a circuit that is regularly switched on and off by the utility.

Cleaning

- Wipe the rangehood body and flue with a sponge or soft cloth soaked in warm soapy water, and dry with a soft cloth, for stainless steel models apply a stainless steel protector. Do not use oven cleaners or other abrasive materials.
- There is a fire risk if cleaning is not carried out in accordance with the instructions.

Electrical Connection

- Check that the mains voltage matches with the voltage on the data plate inside the rangehood.
- Check that the installation complies with standards of local gas and electricity authorities.
- If the supply cord is damaged, it must be replaced by the manufacturer or its service agent or a similarly qualified person in order to avoid a hazard.
- This appliance has a 1.2m power cord and 10A plug, ensure that the plug is accessible after installation.

Accessories

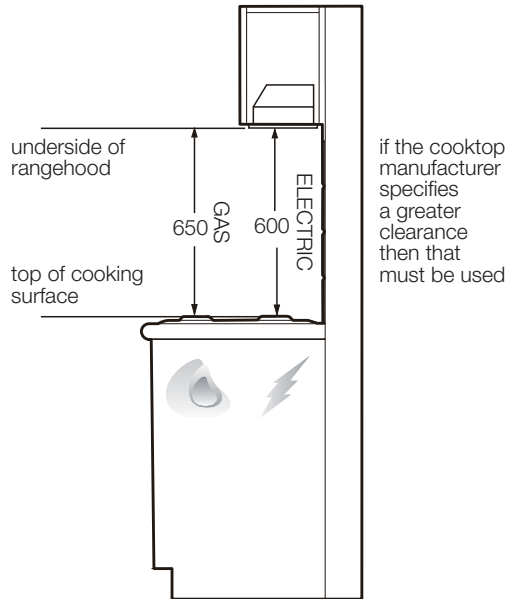
- Use 120mm round exhaust ducting for best performance.
- When using flexible duct always install duct with the wire helix pulled taut to minimise pressure loss.
- Try to keep exhaust duct short and straight.
- Keep bends in the exhaust duct to a minimum.
- Do not restrict exhaust duct.
- Reducing the size of the exhaust duct will reduce the airflow of the rangehood. Please read instructions carefully. Service calls resulting from incorrect installation will be charged for.

Installation must comply in all respects with your gas and electrical authorities. This rangehood is an indoor domestic appliance, and has been manufactured and tested to comply with Australian and New Zealand Standard AS/NZS 60335.2.31

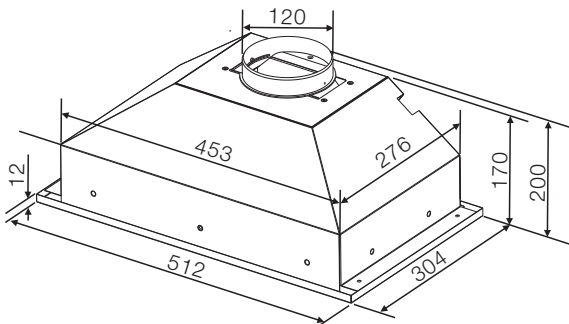
INSTALLATION

Standard ducting installation

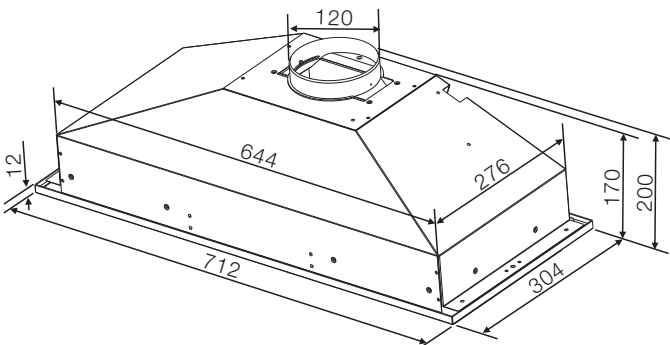
It is recommended that the unit be positioned at a minimum of 600mm for an electric cooktop and 650mm for a gas cooktop, and no further from the cooktop than 800mm. The unit becomes less effective as the distance from the cooking surface to the rangehood increase.



Fixing point dimensions – WRI500SB



Fixing point dimensions – WRI700SB



Parts supplied with hood

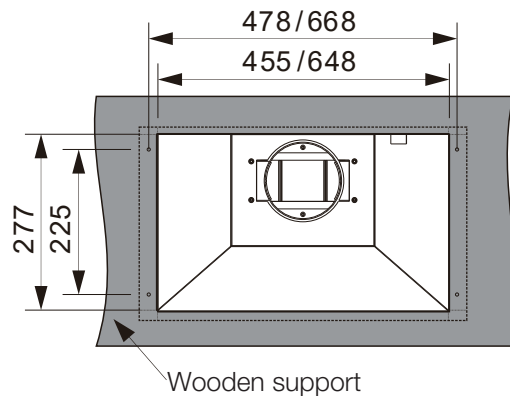
- 1 x Ø 120mm air outlet
- 4 x self tapping screws 3.5 x 12mm
- 4 x self tapping screws 4 x 32mm
- 2 x air intake grilles

Parts to be purchased

- Aluminium tape or cable ties to secure flue pipe
- Ducting accessories

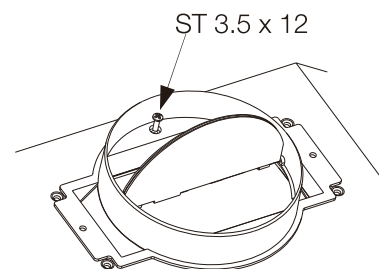
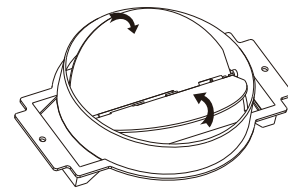
Cutting the wooden support

Cut the slot in the wooden support as pictured below



Fixing the air outlet

Flip the non-return valves and fix them with tape or clamp temporarily. Use screws to fix the air outlet to the rangehood then release the non-return valves.



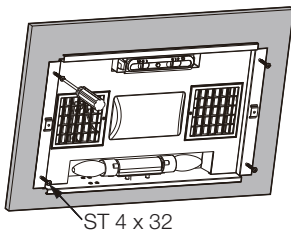
! WARNING!

Failure to install the screws or fixing device in accordance with these instructions may result in electrical hazards.

INSTALLATION

Fixing the rangehood

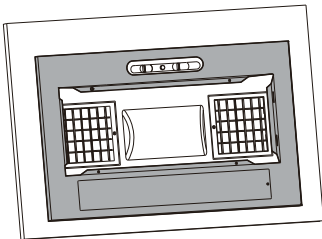
Use screw to fasten the rangehood to the wood support from bottom side.



Fixing the front panel and filter

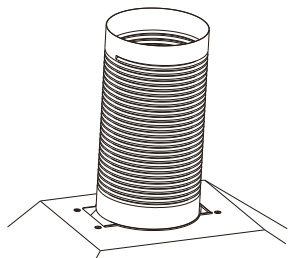
Replace the front cover by replacing the 4x screws, then refit the filters.

-Note: The Edison Screw lamps may have come loose during transportation. Ensure that lamps are tightened firmly into the socket before fixing the front panel.



Fixing the flue pipe

Fix a \varnothing 120mm, non-combustible, rigid flue pipe to the exhaust transition duct using cable ties or duct tape.

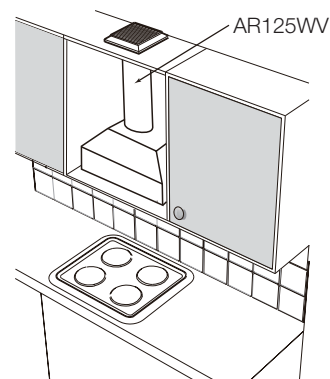


i IMPORTANT!

If using a flexible duct, always install duct with the wire helix pulled taut to minimise pressure and noise.

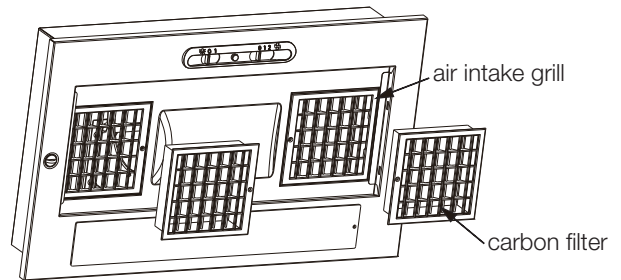
Recirculating installation

If recirculating installation is used, carbon filters are recommended.



Installing carbon filters

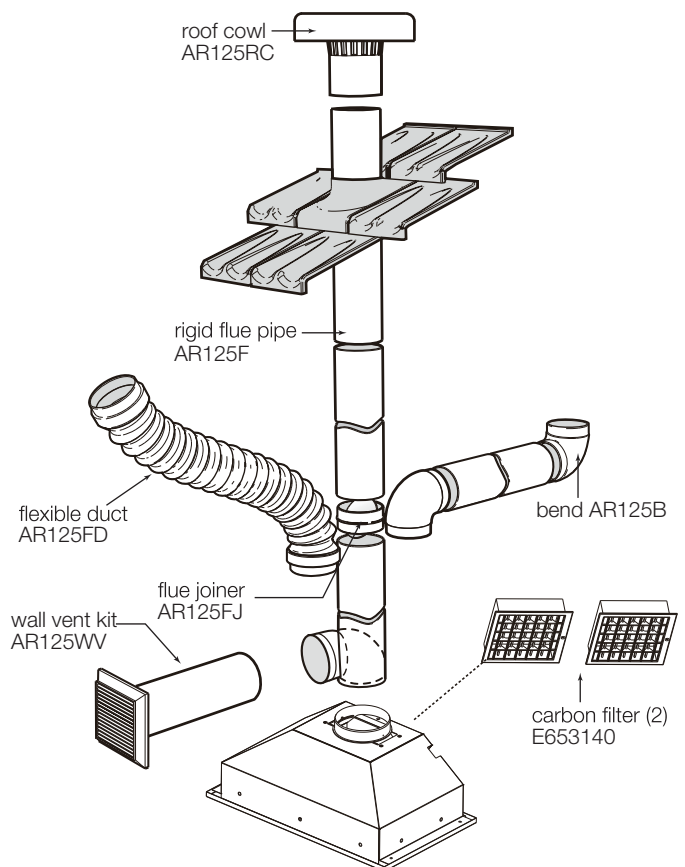
Replace the air intake grills with carbon filters.



Optional carbon filters diminish cooking odours in the recirculated air. Depending on the frequency of use and the type of cooking, the expected life of carbon filters is 3 months. Using carbon filters will reduce the airflow of the angehood.

Ducting accessories - WRI500SB, WRI700SB

For best performance \varnothing 120mm ducting is recommended



Accessories can be bought from your local appliance retailer, or in Australia at our online spare parts and accessories store: shop.electrolux.com.au

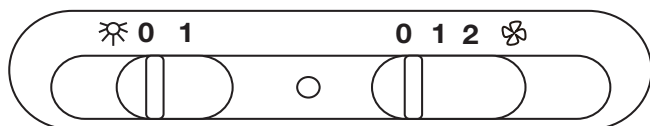
OPERATION & MAINTENANCE

IMPORTANT!

The Edison Screw lamps may have come loose during transportation.

Ensure that lamps are tightened firmly into the socket before power is applied.

Best results are obtained by using a low speed for normal conditions and a high speed when odours are more concentrated. Turn the hood on a few minutes before you start cooking. It should be left on after cooking for about 15 minutes or until all odours have disappeared.



Light switch: This switch is used to turn the light fitted in the hood on and off.

Extractor fan switch: Used to select fan speeds.

Slide position 0: Fan off

Slide position 1: Fan speed Low.

Slide position 2: Fan speed High.

Maintenance

WARNING!

- **Before maintenance or cleaning is carried out, the rangehood should be disconnected from the main power supply. Ensure that the rangehood is switched off at the wall socket and the plug removed.**
- **External surfaces are susceptible to scratches and abrasions, so please follow the cleaning instructions to ensure the best possible result is achieved without damage.**
- **There is a fire risk if cleaning is not carried out in accordance with the instructions.**
- **Do not change the light bulb or carry out maintenance immediately after use as the bulb and the cooker hood may be hot. Allow it to cool first.**
- **Use both hands for removing and re-fitting the filter and the front panel to avoid accidentally dropping the filter or the front panel on to your cooktop or kitchen bench.**
- **Take care of sharp edges during installation, maintenance and cleaning. When the filters, light cover or fascia panel are removed, wear gloves for protection.**

Cleaning steel surface

Clean stainless steel surfaces using non-abrasive cleaning products that are specifically for use on stainless steel.

To ensure best results also use an even pressure and follow the grain of the stainless steel. Use of a soft cloth reduces the risk of scratching. If the cloth is wet ensure that a dry soft cloth is used to wipe down the surface again reducing the risk of any surface rust appearing.

Cleaning grease filters

The mesh filters can be cleaned by hand in warm soapy water. Soak in warm water and some washing up liquid. For stubborn grease stains use a soft nylon brush to help remove these stains. After cleaning ensure that the filters are completely dry before refitting.

Replacing the lamp

1. Remove the filter, then unfasten the front panel fixing screws then remove the front panel.
2. Replace with 5.5W maximum E14 LED candle lamp. The lamp assembly includes a silicone seal, this must be replaced when a new lamp is used. The silicone seal is placed over the lamp thread and then the lamp is screwed into the holder. Ensure replacement lamp is tightened firmly. Replacement lamps from Electrolux Parts Centres are supplied with silicone seals.

Suitable lamp for replacement

E14 5.5W LED -> DBL-5.5-H-E14-35/102



This document sets out the terms and conditions of the product warranties for Westinghouse Appliances. It is an important document. Please keep it with your proof of purchase documents in a safe place for future reference should there be a manufacturing defect in your Appliance. This warranty is in addition to other rights you may have under the Australian Consumer Law.

1. In this warranty:

- (a) 'ACL' or 'Australian Consumer Law' means Schedule 2 to the Competition and Consumer Act 2010;
- (b) 'Appliance' means any Electrolux product purchased by you and accompanied by this document;
- (c) 'ASC' means Electrolux's authorised serviced centres;
- (d) 'Westinghouse' is the brand controlled by Electrolux Home Products Pty Ltd of 163 O'Riordan Street, Mascot NSW 2020, ABN 51 004 762 341 in respect of Appliances purchased in Australia and Electrolux (NZ) Limited (collectively "Electrolux") of 3-5 Niall Burgess Road, Mount Wellington, in respect of Appliances purchased in New Zealand;
- (e) 'Warranty Period' means the period specified in clause 3 of this warranty;
- (f) 'you' means the purchaser of the Appliance not having purchased the Appliance for re-sale, and 'your' has a corresponding meaning.

2. Application: This warranty only applies to new Appliances, purchased and used in Australia or New Zealand and is in addition to (and does not exclude, restrict, or modify in any way) other rights and remedies under a law to which the Appliances or services relate, including any non-excludable statutory guarantees in Australia and New Zealand.

3. Warranty Period: Subject to these terms and conditions, this warranty continues for in Australia for a period of 24 months and in New Zealand for a period of 24 months, following the date of original purchase of the Appliance.

4. Repair or replace warranty: During the Warranty Period, Electrolux or its ASC will, at no extra charge if your Appliance is readily accessible for service, without special equipment and subject to these terms and conditions, repair or replace any parts which it considers to be defective. Electrolux may, in its absolute discretion, choose whether the remedy offered for a valid warranty claim is repair or replacement. Electrolux or its ASC may use refurbished parts to repair your Appliance. You agree that any replaced Appliances or parts become the property of Electrolux.

5. Travel and transportation costs: Subject to clause 7, Electrolux will bear the reasonable cost of transportation, travel and delivery of the Appliance to and from Electrolux or its ASC. Travel and transportation will be arranged by Electrolux as part of any valid warranty claim.

6. Proof of purchase is required before you can make a claim under this warranty.

7. Exclusions: You may not make a claim under this warranty unless the defect claimed is due to faulty or defective parts or workmanship. This warranty does not cover:

- (a) light globes, batteries, filters or similar perishable parts;
- (b) parts and Appliances not supplied by Electrolux;
- (c) cosmetic damage which does not affect the operation of the Appliance;

- (d) damage to the Appliance caused by:
 - (i) negligence or accident;
 - (ii) misuse or abuse, including failure to properly maintain or service;
 - (iii) improper, negligent or faulty servicing or repair works done by anyone other than an Electrolux authorised repairer or ASC;
 - (iv) normal wear and tear;
 - (v) power surges, electrical storm damage or incorrect power supply;
 - (vi) incomplete or improper installation;
 - (vii) incorrect, improper or inappropriate operation;
 - (viii) insect or vermin infestation;
 - (ix) failure to comply with any additional instructions supplied with the Appliance;

In addition, Electrolux is not liable under this warranty if:

- (a) the Appliance has been, or Electrolux reasonably believes that the Appliance has been, used for purposes other than those for which the Appliance was intended, including where the Appliance has been used for any non-domestic purpose;
- (b) the Appliance is modified without authority from Electrolux in writing;
- (c) the Appliance's serial number or warranty seal has been removed or defaced

8. How to claim under this warranty: To enquire about claiming under this warranty, please follow these steps:

- (a) carefully check the operating instructions, user manual and the terms of this warranty;
- (b) have the model and serial number of the Appliance available;
- (c) have the proof of purchase (e.g. an invoice) available;
- (d) telephone the numbers shown below.

9. Australia: For Appliances and services provided by Electrolux in Australia: Electrolux goods come with guarantees that cannot be excluded under the Australian Consumer Law. You are entitled to a replacement or refund for a major failure and for compensation for any other reasonably foreseeable loss or damage. You are also entitled to have the Appliance repaired or replaced if the Appliance fails to be of acceptable quality and the failure does not amount to a major failure. 'Acceptable quality' and 'major failure' have the same meaning as referred to in the ACL.

10. New Zealand: For Appliances and services provided by Electrolux in New Zealand, the Appliances come with a guarantee by Electrolux pursuant to the provisions of the Consumer Guarantees Act, the Sale of Goods Act and the Fair Trading Act. Where the Appliance was purchased in New Zealand for commercial purposes the Consumer Guarantee Act does not apply.

11. Confidentiality: You accept that if you make a warranty claim, Electrolux and its agents including ASC may exchange information in relation to you to enable Electrolux to meet its obligations under this warranty.

Important Notice

Before calling for service, please ensure that the steps listed in clause 8 above have been followed.

AUSTRALIA	FOR SERVICE or to find the address of your nearest authorised service centre in Australia PLEASE CALL 13 13 49 <small>For the cost of a local call</small>	FOR SPARE PARTS or to find the address of your nearest spare parts centre in Australia PLEASE CALL 13 13 50 <small>For the cost of a local call</small>
NEW ZEALAND	FOR SERVICE or to find the address of your nearest authorised service centre in New Zealand PLEASE CALL 0800 10 66 10	FOR SPARE PARTS or to find the address of your nearest spare parts centre in New Zealand PLEASE CALL 0800 10 66 20

For more information on all Westinghouse appliances, or for dimension and installation information, call into your retailer, phone or email our customer care team or visit our website:

AUSTRALIA

phone: 1300 363 640

email: customercare@electrolux.com.au


web: westinghouse.com.au

NEW ZEALAND

phone: 0800 436 245

email: customercare@electrolux.co.nz

web: westinghouse.co.nz

 and WESTINGHOUSE are trademarks of Westinghouse Electric Corporation.
Used under license. All Rights Reserved.

© 2019 Electrolux Home Products Pty Ltd.
ABN 51 004 762 341
WMAN_WRI500SB_WRI700SB_TAS_Oct 19