

# FISHER & PAYKEL

## PRELIMINARY SPECIFICATION GUIDE

## FRONT LOADER WASHING MACHINE, 11KG SERIES 9



### OVERVIEW

With a generous 11kg capacity, this front loader is designed to handle large loads with smart sensors and auto-dosing technology. It has a 4.5 Star Water Rating and 4.5 Star Energy Rating, while the intuitive LCD display ensures ease of use. Works with Google Assistant and Amazon Alexa, with the option to download programs and software updates for a greater user experience. Pair perfectly with a matching dryer for a clean, considered laundry.

### MODELS

Front Loader Washing Machine, 11kg  
WH1160F2

### SERIES

Series 9  
Front Loader

### FEATURES

- ① Designed to match our dryers with outstanding aesthetics and complimentary wash cycles
- ② Optimal clean with ActiveIntelligence™ Technology
- ③ Better fabric care with SmartDrive™ Technology
- ④ Fast and even mixing of detergent with Vortex Wash
- ⑤ Steam Refresh cycle de-wrinkles, deodorises, and refreshes clothes
- ⑥ Add or remove items during the wash cycle with Add a Garment
- ⑦ Wool cycle with a Woolmark™ guarantee
- ⑧ Works with Google Assistant and Amazon Alexa
- ⑨ Option to download cycles via easy-to-use app
- ⑩ Intuitive LCD display

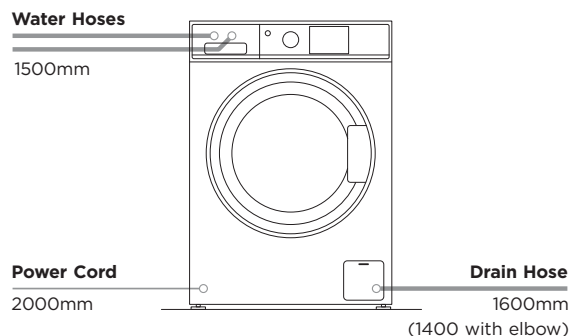
# FISHER & PAYKEL

## PRELIMINARY SPECIFICATION GUIDE

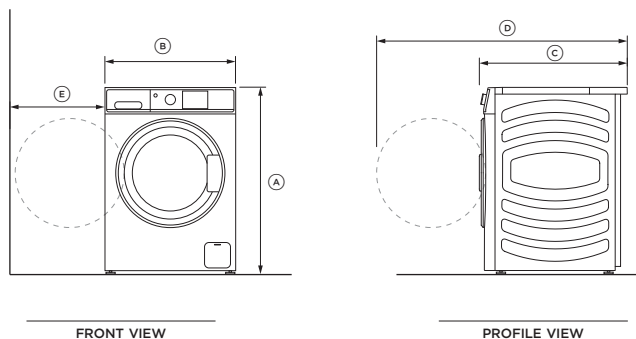
## FRONT LOADER WASHING MACHINE, 11KG SERIES 9

### SPECIFICATIONS

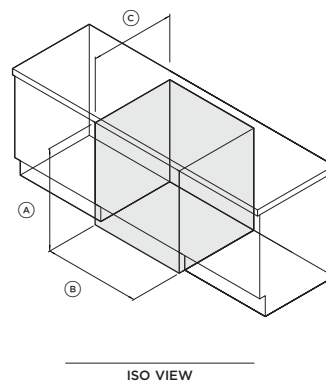
<b>Model No.</b>	WHT160F2
<b>Dimensions</b>	H 850mm W 600mm D 675mm
<b>Weight</b>	82kg
<b>Electrical</b>	
<b>Supply</b>	220V - 240V, 50Hz
<b>Service</b>	10-amp circuit
<b>Outlet</b>	3-prong grounding-type
<b>Plumbing</b>	
<b>Supply</b>	Hose set provided
<b>Pressure</b>	Max. 1MPa (150psi) Min. 30KPa (4.5psi), Min. 6 litres/min



### PRODUCT DIMENSIONS



### CAVITY DIMENSIONS: STANDARD INSTALLATION



	mm
<b>(A) Overall height*</b>	
• Min	845
• Max	860
<b>(B) Overall width</b>	600
<b>(C) Overall depth**</b>	675
<b>(D) Depth with the door open</b>	1080
<b>(E) Min. door clearance to adj. wall</b>	355

\* Includes adjustable mounted feet and the range of movement

\*\* Includes dial and door when closed

	mm
<b>(A) Minimum height*</b>	865
<b>(B) Minimum width</b>	640
<b>(C) Minimum overall cavity depth</b>	
• Flush with front panel of the product	655
• In cupboard	715
<b>Minimum gap clearance to adjacent product or cabinetry**</b>	20

\* Depends on feet adjustment

\*\* Applies to sides, top and rear