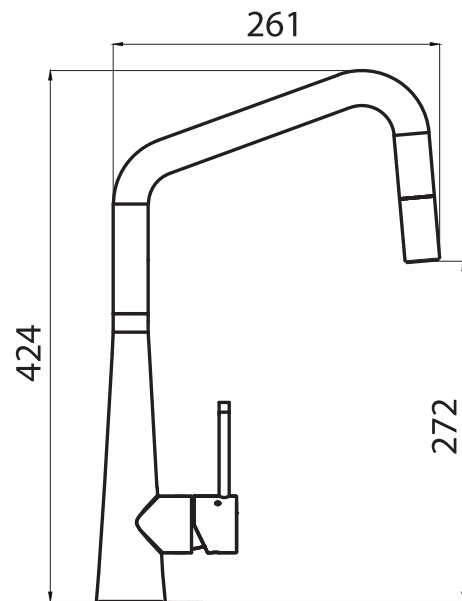


Oliveri®

Model: SS2575



FEATURES AND BENEFITS

- **WELS 4 star rating**
4 Star water efficiency rating, 7.5L per minute.
- **Stainless steel**
Modern design and durable finish to suit all kitchens.
- **10 year warranty**
Covered by Oliveri's 10 year warranty (5 years parts & labour plus an additional 5 years parts only).
- **Filtered water**
Connect an Oliveri inline filtration system to any Essente mixer to enjoy fresh tasting water in your home.
- **Watermark**
Oliveri mixers carry the Watermark logo, confirming they comply with Australian standards.

OTHER MODELS YOU MAY LIKE

SS2570



Stainless steel

MATCHING ACCESSORIES

FS5010



Inline filtration system

FS7025



Satellite filtration system

SPECIFICATIONS

Description

Oliveri Essente stainless steel square goose neck pull out mixer

Mixer Height

424 mm

WELS Rating

4 star water efficiency
7.5L per minute

Finish	Stainless steel
Cartridge Size	35 mm
Cartridge Type	Ceramic disc
EAN	9324974012182
Spout height	272 mm
Max. operating pressure	500 kpa
Carton Size	735 x 325 x 75 mm
Weight	4 kg
Warranty	10 Year Warranty: 5 years only (parts & labour) plus an additional 5 years on the Cartridge (parts only) Refer to oliveri.com.au for full warranty details



For more information call **1300 137 465** or visit **oliveri.com.au**