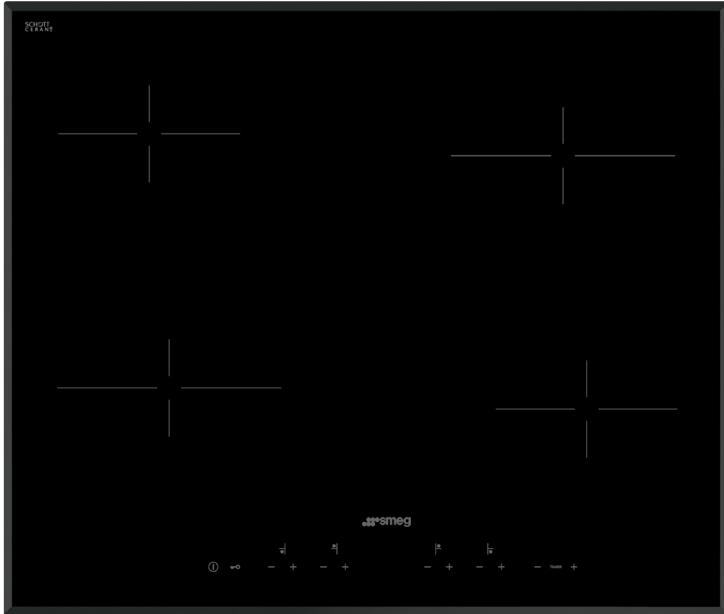


## SE364TBAU 60CM CERAMIC COOKTOP



### KEEP WARM FUNCTION

The efficient nature of Smeg's ceramic cooktops mean that at any time during the cooking process, you are able to activate the Keep Warm function, allowing the zone to maintain a consistent temperature of 70 degrees.

### 4 ZONES

Two pairs of cooking zones are diagonally positioned for ergonomic access and maximum space efficiency. Each zone offers 9 heat settings.

### LIMITED POWER CONSUMPTION MODE

Smeg's range of award-winning cooktops offer a wealth of innovative environmentally-friendly features designed to reduce the consumption of power. The limited power consumption mode provides a more energy-efficient cooking option for a variety of cooking styles.

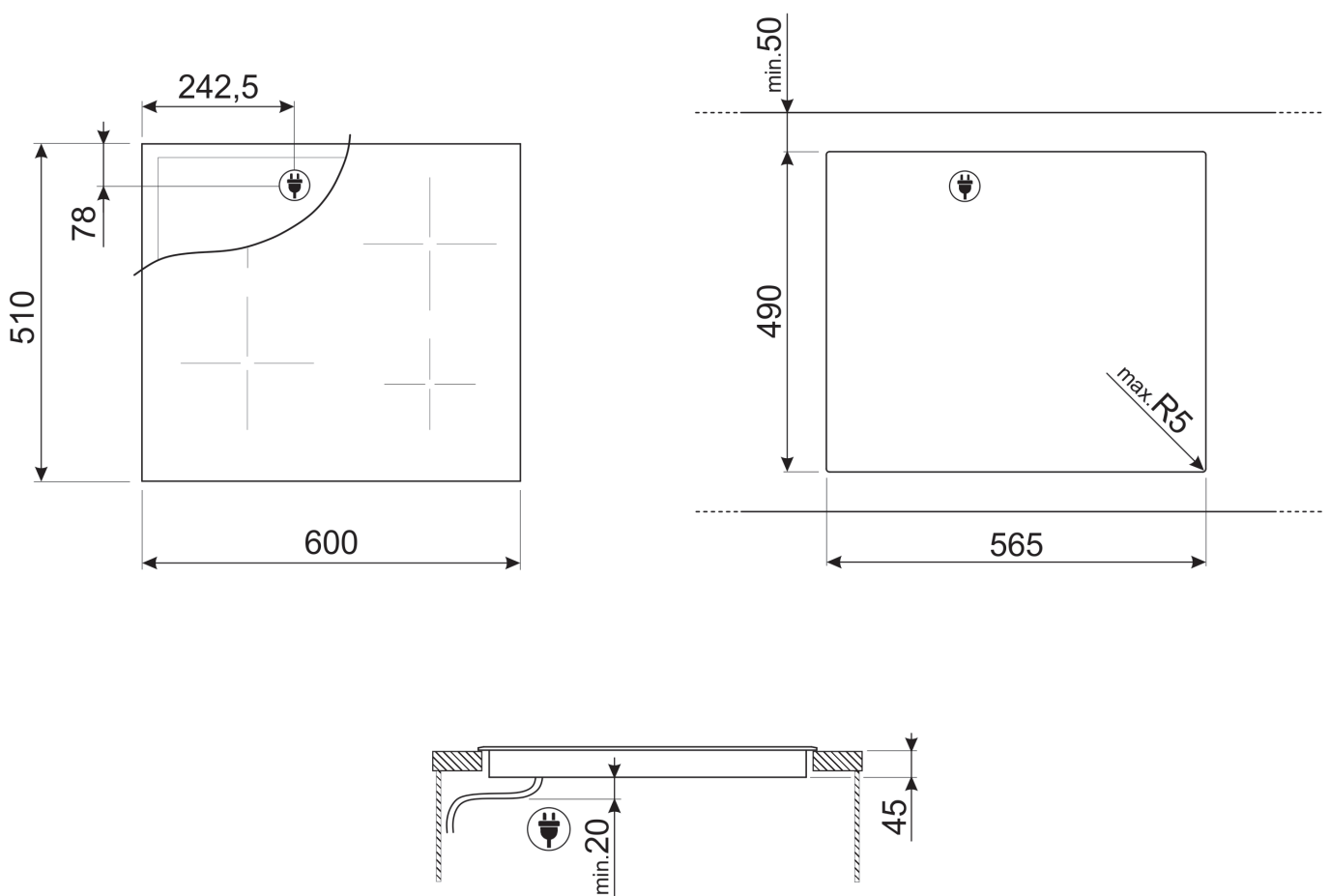
### RESIDUAL HEAT INDICATORS

Each cooking zone's control area will flash 'H' for residual heat if the zone is no longer in use but still retains a residual heat of 60° Celsius or above.

EAN 8017709265748

Finish	Black ceramic surface with bevelled edge
Installation	built in
Size	600mmW x 45mmH x 510mmD
Capacity	4 zones Front left – 1800W Ø18.4cm Rear left – 1200W Ø14.8cm Front right – 1200W Ø14.8cm Rear right – 1800W Ø18.4cm
Power levels	9 per zone
Timers	1–99 minutes programmable cooking times, simultaneous and variable times, audible signal Minute minder
Controls	Touch Control
Safety	four residual heat indicators power ON indicator microtherm insulation
Power	220–240V, 50/60Hz 6000W 26A
Warranty	two years parts and labour

**SE364TBAU**  
60CM CERAMIC COOKTOP



PLEASE NOTE: drawings are not to scale. They are to assist only.  
 WARNING: technical specifications and product sizes can be varied by the manufacturer without notice.  
 Cutouts for appliances should only be by physical product measurements. The above information is indicative only.