

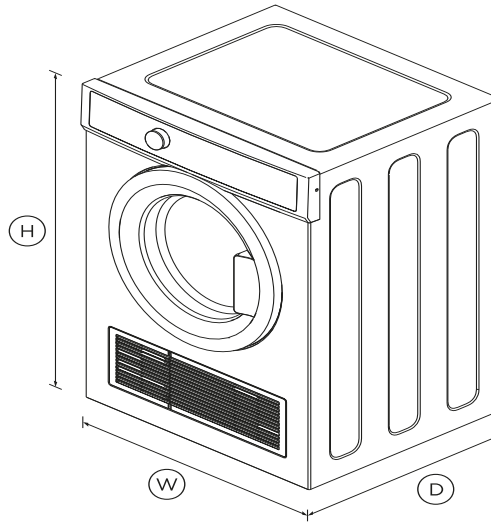
Vented Dryer, 7kg

Series 7 | Vented

White



Height	830 mm
Width	600 mm
Depth	600 mm



FEATURES & BENEFITS

Auto-sensing technology

Auto-sensing prevents over-drying by sensing moisture levels inside the drum and shutting off automatically. This helps clothes last for longer and reduces energy consumption.

Cares for clothes

This dryer has a cycle to suit every type of load including Delicate, Bulky and Sports. Select a cycle with the easy to use SmartTouch™ control dial.

Simple installation

Vent out either the front or the back of this dryer. A wall mounting kit is included and the control panel can be inverted

easily.

Drying rack

This model comes with a drying rack, perfect for those items that are too precious to tumble.

Reverse tumbling

Reverse tumbling alternates direction to help garments move freely so they dry quicker and more evenly.

Easy loading

The robust dryer door features die cast metal hinges that open to a full 180° for easy access and loading.

SPECIFICATIONS

Capacity

Capacity **7kg**

Consumption

Energy rating **2 star**

Energy star rating **2**

Dry Cycles

- Air dry/Air fluff cycle •
- Bulky •
- Easy Iron •
- Everyday •
- Freshen •
- Heavy •
- Rack dry •
- Sports •
- Time Dry •

Dry your clothes efficiently without over drying, with multiple ways to install and vent.

- Auto-sensing detects moisture level to prevent under or over drying
- Ten different fabric care cycles including Delicate, Bulky, and Freshen
- Full reverse tumbling to help dry garments quicker and more evenly
- Drying rack for items that are too precious to tumble

DIMENSIONS

Features

- Delay start •
- Drying rack •
- Easy access lint filter •
- Easy invert panel •
- End of cycle signal •
- Keylock •
- Lint filter indicator •
- Progress indicator •
- Safety restart switch •
- SmartTouch™ control dial •
- Wrinkle free option •

SKU

93275

TEST The product dimensions and specifications in this page apply to the specific product and model. Under our policy of continuous improvement, these dimensions and specifications may change at any time. You should therefore check with Fisher & Paykel's Customer Care Centre to ensure this page correctly describes the model currently available. ? Fisher & Paykel Appliances Ltd 2020

Performance

- Auto sensing •
- Choice of front or rear venting •
- Dryness settings **5**
- Reverse tumbling •
- Temperature settings **4**
- Timed dry •

Product dimensions

- Depth **600 mm**
- Height **830 mm**
- Width **600 mm**

Warranty

- Parts and labour **2 years**

Other product downloads available at fisherpaykel.com

User Guide



Service & Warranty Booklet



Installation Guide



Installation Guide (Cavity Sizes)

**A PEACE OF MIND SALE****24 Hours 7 Days a Week Customer Support****T 1300 650 590 W www.fisherpaykel.com**