

Vented Dryer, 4.5kg

Series 3 | Vented

White

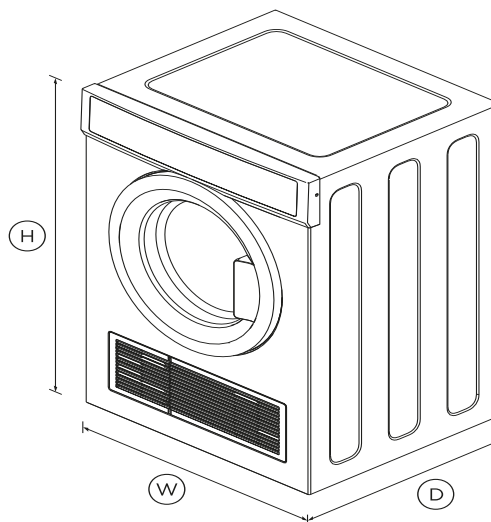


Dry your clothes efficiently, without overdrying, in this vented dryer that's perfect for smaller households.

- Four dry cycles including Delicate and Everyday
- Auto-sensing detects moisture levels to prevent under or over drying
- Full reverse tumbling for an even dry and less tangling of clothes
- Comes with wall brackets, making it easy to hang for a tidy laundry

DIMENSIONS

Height	830 mm
Width	600 mm
Depth	495 mm



FEATURES & BENEFITS

Auto-sensing technology

Auto-sensing prevents over-drying by sensing moisture levels inside the drum and shutting off automatically. This helps clothes last for longer and reduces energy consumption.

Easy loading

The robust dryer door features die cast metal hinges that open to a full 180° for easy access and loading.

SPECIFICATIONS

Capacity

Capacity	4.5kg
----------	-------

Consumption

Energy rating	2 star
Energy star rating	2

Dry Cycles

Air dry/Air fluff cycle	•
Everyday	•
Time Dry	•

Features

Easy access lint filter	•
End of cycle signal	•
Keylock	•
Lint filter indicator	•
Progress indicator	•
Safety restart switch	•

Performance

Auto sensing	•
Choice of front or rear venting	•
Reverse tumbling	•
Timed dry	•

Product dimensions




Depth	495 mm
Height	830 mm
Width	600 mm

Warranty	
Parts and labour	2 years

SKU	92276
-----	-------

TEST The product dimensions and specifications in this page apply to the specific product and model. Under our policy of continuous improvement, these dimensions and specifications may change at any time. You should therefore check with Fisher & Paykel's Customer Care Centre to ensure this page correctly describes the model currently available. ? Fisher & Paykel Appliances Ltd 2020

Other product downloads available at fisherpaykel.com

-  [User Guide](#)
-  [Service & Warranty Booklet](#)
-  [Installation Guide](#)



A PEACE OF MIND SALE

24 Hours 7 Days a Week Customer Support

T 1300 650 590 Wwww.fisherpaykel.com