

# Freestanding Quad Door Refrigerator Freezer, 90.5cm, 605L, Ice & Water

Series 7 | Contemporary

Black Stainless Steel | French hinge

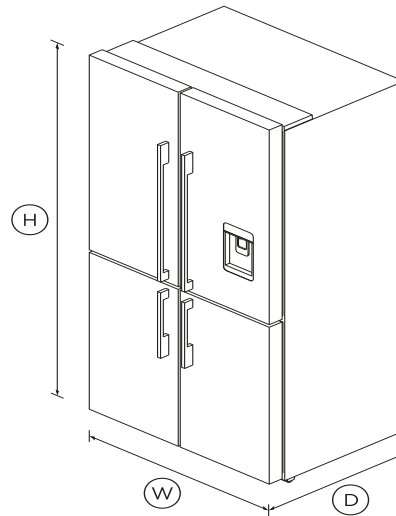


With brilliant LED lighting and three independent compartments including a Variable Temperature Zone, for truly flexible storage.

- ActiveSmart™ technology helps keep food fresher for longer by constantly maintaining the ideal temperature.
- Door water dispenser and internal ice maker with boost function
- Variable Temperature Zone lets you change a compartment to Fridge, Chill, Soft Freeze or Freezer for optimal storage

## DIMENSIONS

Height	1790 mm
Width	905 mm
Depth	688 mm



## FEATURES & BENEFITS

### Flexible storage

Three large, independent compartments provide ample storage space. Easily adjustable cantilevered shelving in the refrigerator and full extension bins in the freezer provide maximum storage flexibility. A Variable Temperature Zone in the lower right compartment provides true freezer temperature of -18°C.

### ActiveSmart™ Foodcare

ActiveSmart™ Foodcare learns how you live. It is technology which understands how you use your fridge and adjusts

temperature, airflow and humidity inside to help keep food fresher for longer.

### Ultra slim water dispenser

The slimline water dispenser is easy to use. The angled water delivery means that almost any size or shape of vessel can be filled. The slimline design maximises storage space inside the door.

### Ice maker

The internal ice maker delivers fresh ice to a dedicated freezer bin. Simply turn it off to free up freezer space or during busy times boost ice production by up to 30%

### Design quality

Our refrigerators are built using quality materials. We use real stainless steel, and solid glass for the interior shelving. Thoughtfully designed bins feature smooth, fully extendable telescopic runners for full access to storage space.

### Beauty of choice

With the choice of stylish stainless steel or elegant black, you can choose the finish that complements your kitchen design best.

## SPECIFICATIONS

### Accessories (sold separately)

Replacement water filter	847200
--------------------------	--------

### Capacity

Freezer	115L
Refrigerator	375L
Total gross capacity	605L
Variable temperature	115L

### Consumption

Energy rating	3.5 stars
---------------	-----------

Energy usage **460kWh/year**

**Freezer features**

- Automatic ice maker •
- Bottle chill •
- Door alarm •
- Fast freeze •
- Full extension clear bins **3**
- Ice Boost •
- Ice bin and scoop •
- LED lighting •

**Performance**

- ActiveSmart™ Foodcare •
- Frost free •
- Humidity control system •
- Internal replaceable water filter •
- Inverter controlled compressor •
- R600a refrigerant •
- Sabbath mode •
- Variable temperature •

**Power Requirements**

Rated current **1.8A**  
 Supply voltage **220 - 240V**

**Product dimensions**

Depth **688 mm**  
 Depth (excluding handles) **688 mm**  
 Height **1790 mm**

Height to top of cabinet **1775 mm**

Height to top of door **1790 mm**

Minimum air clearance - at rear **30 mm**

Minimum air clearance - each **20 mm**

Minimum air clearance - on top **20 mm**

Width **905 mm**

**Refrigerator features**

- Adjustable door shelves **6**
- Adjustable glass cantilevered **4**
- Covered door shelves **2**
- Door alarm •
- Front levelling feet •
- Fruit and vegetable bins **2**
- Full extension runners •
- Gallon door shelves **2**
- LED lighting •
- Rear rollers •
- SmartTouch control panel •
- Split level cantilevered shelves **2**
- Stackable bottle holders **4**
- Ultra slim water dispenser •

**Warranty**

Parts and labour **2 years**  
 Sealed system parts only **5 years**

SKU **26094**

TEST The product dimensions and specifications in this page apply to the specific product and model. Under our policy of continuous improvement, these dimensions and specifications may change at any time. You should therefore check with Fisher & Paykel's Customer Care Centre to ensure this page correctly describes the model currently available. ? Fisher & Paykel Appliances Ltd 2020

---

Other product downloads available at [fisherpaykel.com](http://fisherpaykel.com)



User Guide



Service & Warranty Booklet



**A PEACE OF MIND SALE**

24 Hours 7 Days a Week Customer Support

T 1300 650 590 **W**[www.fisherpaykel.com](http://www.fisherpaykel.com)