

FREESTANDING COOKERS

FS9608AS 90CM FREESTANDING COOKER



EAN 8017709276959

Dimensions	900mmW x 885-915mmH x 600mmD
Finish	Anthracite
Installation	Freestanding
Display	5 button LED programmer

Main oven

Capacity	126L
Total functions	8
Door glass	Triple glazed door
Cooking levels	5
Thermostat	50-260°C
Programmability	Fully programmable
Cleaning	Vapour Clean
Lighting	2 x 40W Halogen
Safety	Thermal protection
Supplied accessories	1 x Chrome wire shelf 1 x Chrome grill insert 1 x 20mm enamelled baking tray 1 x 40mm enamelled baking tray 1 x Stainless steel kickplate
Optional accessories	GT1P2 - Partial telescopic guides GT1T2 - Total telescopic guides
Power	220-240V, 50/60Hz 3200W 15A
Warranty	Two years parts and labour



THERMOSEAL

The seal of Smeg's quality, technical excellence and taste: succulent roasts, crisp pastry and impressive baking is achieved in Smeg's unique, perfectly controlled cooking environment. Thermoseal maintains the perfect atmospheric balance in the cavity for optimum cooking conditions.



EVER CLEAN ENAMEL

The superior quality of Smeg's patented Ever Clean enamel, which is highly durable and easy to clean, is the result of nearly 70 years of enameling expertise; ensuring long-life performance of every Smeg oven.



VAPOUR CLEAN

Smeg's Ever Clean enamel's tough surface has a glassy finish, so a simple spray of water and detergent around the cavity in conjunction with the Vapour Clean option will generate heat and steam to soften any grease for a wipe-clean result.

Gas Hob

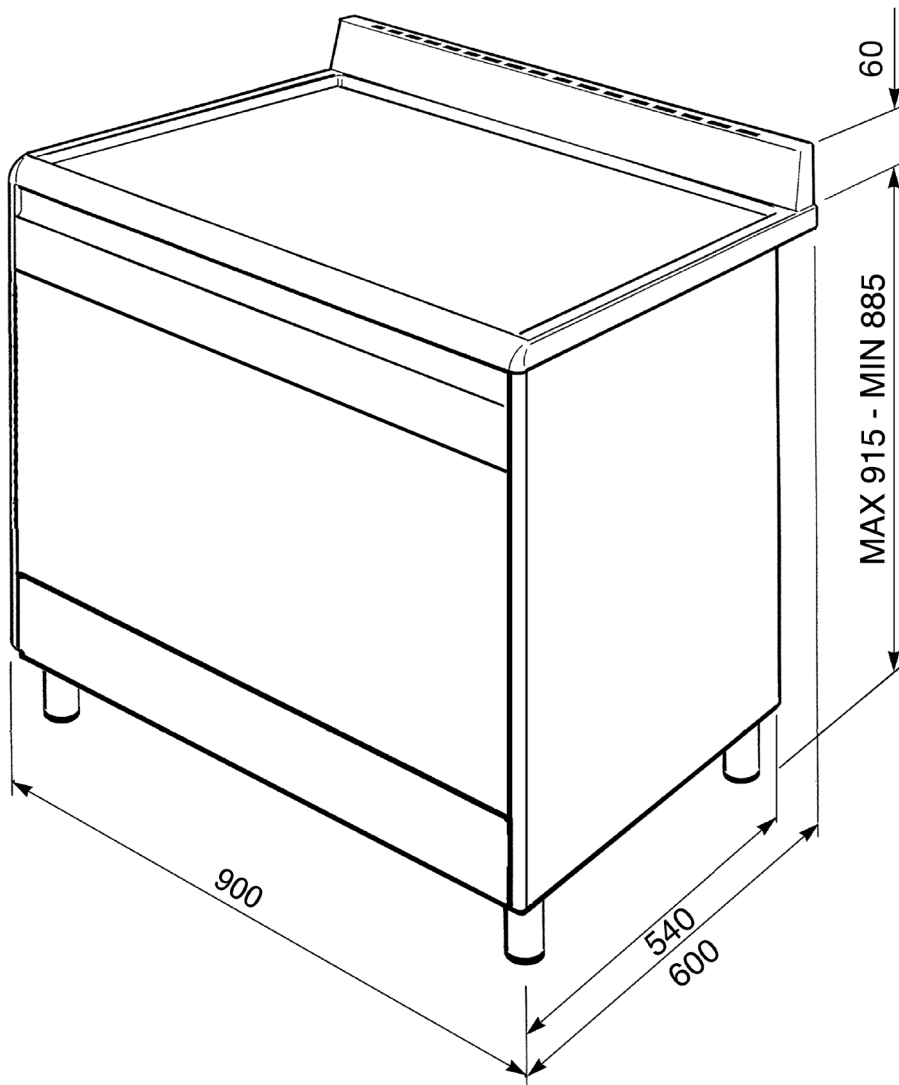
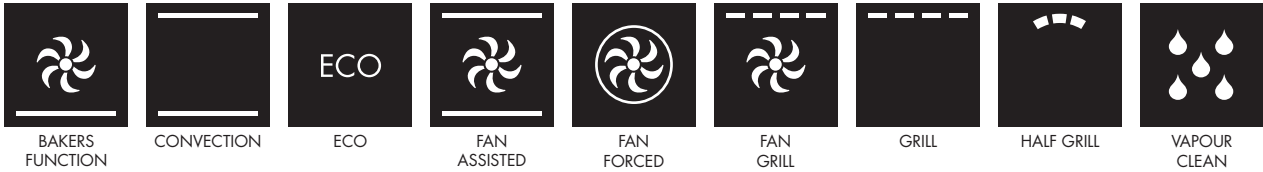
Capacity	6 burners Front left (wok) 1.3 Mj/hr Rear left 7.0 Mj/hr Front Centre 1.2 Mj/hr Rear Centre 4.0 Mj/hr Front right 4.0 Mj/hr Rear right 7.0 Mj/hr
Gas input	Set for natural gas, regulator supplied, adapt for ULPG, no regulator required
Safety	Flame failure device fitted to each burner
Supplied accessories	1 x Wok stand

ID190212

FREESTANDING COOKERS

FS9608AS
90CM FREESTANDING COOKER

Functions



PLEASE NOTE: drawings are not to scale. They are to assist only.
WARNING: technical specifications and product sizes can be varied by the manufacturer without notice.
Cutouts for appliances should only be by physical product measurements. The above information is indicative only.

ID190212