

## KT110BLA

110CM WALLMOUNT CANOPY RANGEHOOD

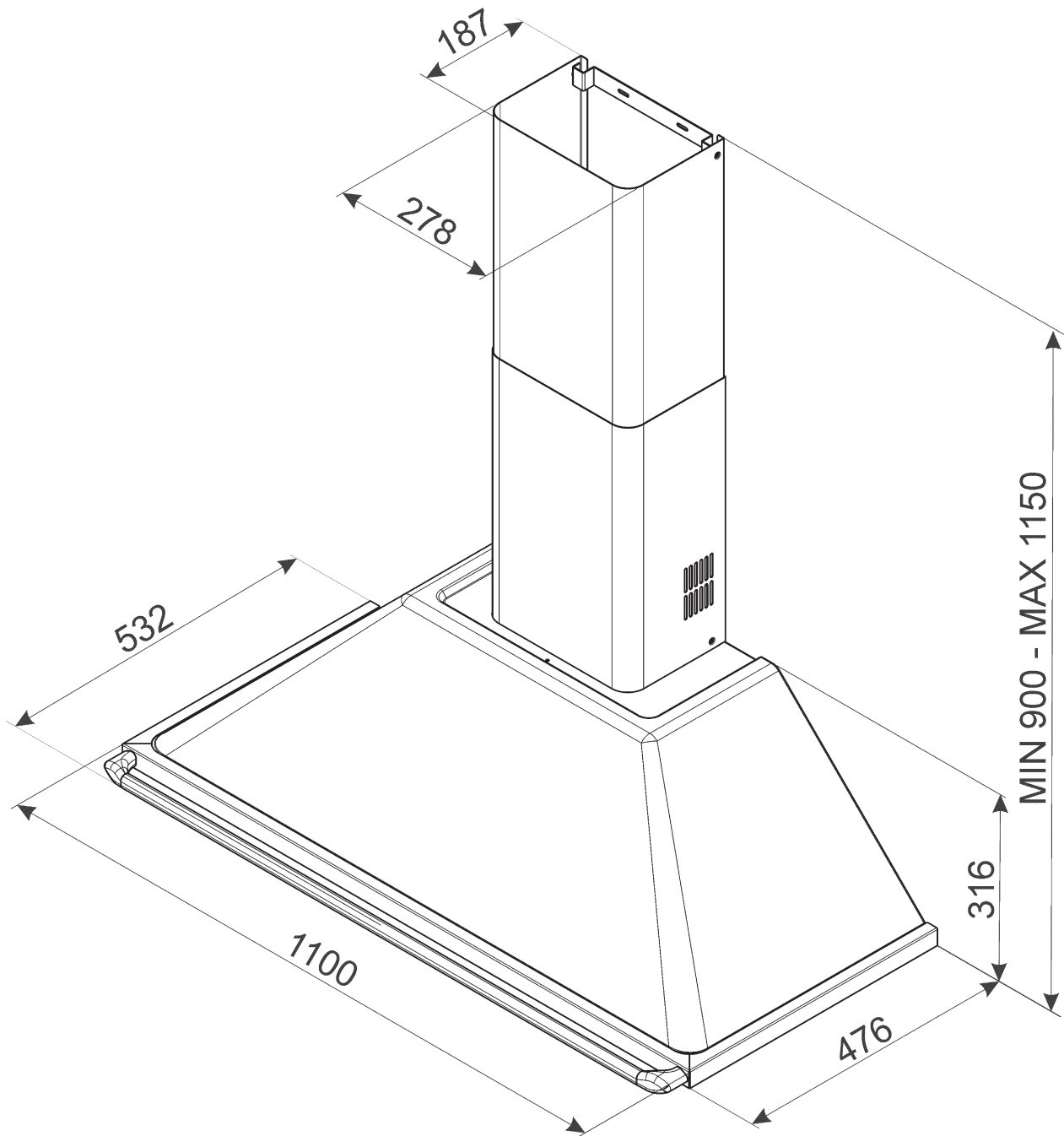


EAN 8017709217129

Finish	Black enamel
Dimensions	1100mmW x 476mmD x 900-1150mmH
Installation	Wallmount
Motor	1 x 275W
Max Airflow	788m <sup>3</sup> /hr max airflow (IEC 60704-3)
Noise rating	50-70 dBA maximum
Illumination	2 x 2W LED
Speeds	Four
Supplied Accessories	4 x stainless steel grease filters (dishwasher safe)
Optional Accessories	charcoal filter #FLT6
Ducting Options	duct to atmosphere / recirculate — 150mm diameter ducting required
Power	220-240V, 50/60Hz 279W 10A (3-pin plug)
Warranty	Two years parts and labour

# KT110BLA

110CM WALLMOUNT CANOPY RANGEHOOD



PLEASE NOTE: drawings are not to scale. They are to assist only.

WARNING: technical specifications and product sizes can be varied by the manufacturer without notice.

Cutouts for appliances should only be by physical product measurements. The above information is indicative only.