

MODEL ABBQ1B



ALFRESCO RANGE- BUILT-IN BARBECUE



PRODUCT INFORMATION

- matte black enamel
- 3.5kWh each burner
- matte black enamel
- automatic Piezo ignition
- stainless steel burners
- cast-iron flat plate
- cast-iron griddle plate
- side control knobs
- oil/fat reservoir
- flame failure device
- double-skin hood
- 5/8" connection fitting
- hose and regulator assembly included
- (barbecue lid sold separately)

Lid Options:

ABFLAT - Slimline Flat BBQ lid

ABHOOD - Roasting dome BBQ hood



Pictured: ABBQ1B built-in barbecue with ABHOOD hooded lid

Pictured: ABBQ1B built-in barbecue with ABFLAT flat lid

ABBQ1B: EAN 9347777001795

ABHOOD: EAN 9347777001801

ABFLAT: EAN 9347777001818

AR061218

DISCLAIMER

Eurolinx PTY LTD, is continually seeking ways to improve the design specifications, aesthetics and production techniques of its products. As a result alterations to our products and designs take place continually. Whilst every effort is made to produce information and literature that is up to date, this brochure should not be regarded as an infallible guide to the current specifications, nor does it constitute an offer for the sale of any particular product. Product dimensions indicated in our literature is indicative only. Actual product only should be used to define dimension cut outs. Distributors, and retailers are not agents of Eurolinx and are not authorized to bind Eurolinx by any express or implied undertaking or representation.

FOLLOW US ON:  [instagram.com/artusi_appliances](https://www.instagram.com/artusi_appliances)

 www.linkedin.com/company/eurolinx-pty-ltd-t-a-llve/

Australia National Telephone Number 1300 (694 583) New Zealand Telephone Number 64 3 344 5913
 Artusi showroom hours: Tuesday to Friday - 9am-5pm, Saturday - 10am-4pm, Sunday and Monday - closed
 * Melbourne showroom hours: Tuesday to Saturday - 10am-4pm

artusi.com.au

NSW & ACT (Head Office)
 48-50 Moore Street
 Leichhardt
 F 02 8569 4699

VIC & SA
 1211 Toorak Road
 Camberwell
 F 03 9809 2155

QLD
 1/42 Cavendish Road
 Coorparoo
 F 07 3397 0850

WA & NT
 Unit 10/55 Howe Street
 Osborne Park
 F 08 9201 9188

TAS
 3 Pear Avenue
 Derwent Park
 P 03 6272 7386

New Zealand
 PO Box 11,160
 Sockburn Christchurch
 F 03 344 5906

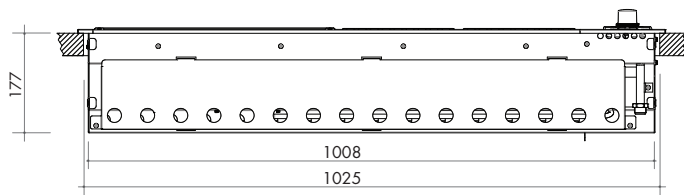
MODEL ABBQ1B



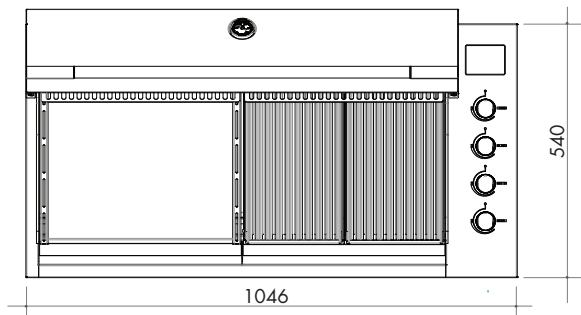
ALFRESCO RANGE- BUILT-IN BARBECUE



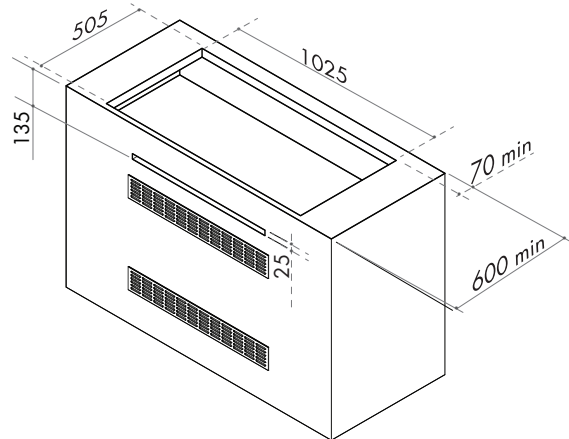
TECHNICAL DIAGRAM



BACK VIEW ABBQ1BH



TOP VIEW ABBQ1BH



NB: drawings are not to scale — they are to be used for detailed installation instructions, please refer to user guide.

ABBQ1B: EAN 9347777001795

ABHOOD: EAN 9347777001801

ABFLAT: EAN 9347777001818

ABBQ1B ALFRESCO RANGE-Built-in barbecue
Size 1046W x 540D x 177H
CUTOUT: 1025W x 505D

AR061218

DISCLAIMER

Eurolinx PTY LTD, is continually seeking ways to improve the design specifications, aesthetics and production techniques of its products. As a result alterations to our products and designs take place continually. Whilst every effort is made to produce information and literature that is up to date, this brochure should not be regarded as an infallible guide to the current specifications, nor does it constitute an offer for the sale of any particular product. Product dimensions indicated in our literature is indicative only. Actual product only should be used to define dimension cut outs. Distributors, and retailers are not agents of Eurolinx and are not authorized to bind Eurolinx by any express or implied undertaking or representation.

FOLLOW US ON:  [instagram.com/artusi_appliances](https://www.instagram.com/artusi_appliances)

 www.linkedin.com/company/eurolinx-pty-ltd-t-a-ilve/

Australia National Telephone Number 1300 (694 583) New Zealand Telephone Number 64 3 344 5913
Artusi showroom hours: Tuesday to Friday - 9am-5pm, Saturday - 10am-4pm, Sunday and Monday - closed
* Melbourne showroom hours: Tuesday to Saturday - 10am-4pm

[artusi.com.au](https://www.artusi.com.au)

NSW & ACT (Head Office)
48-50 Moore Street
Leichhardt
F 02 8569 4699

VIC & SA
1211 Toorak Road
Camberwell
F 03 9809 2155

QLD
1/42 Cavendish Road
Coorparoo
F 07 3397 0850

WA & NT
Unit 10/55 Howe Street
Osborne Park
F 08 9201 9188

TAS
3 Pear Avenue
Derwent Park
F 03 6272 7386

New Zealand
PO Box 11,160
Sockburn Christchurch
F 03 344 5906

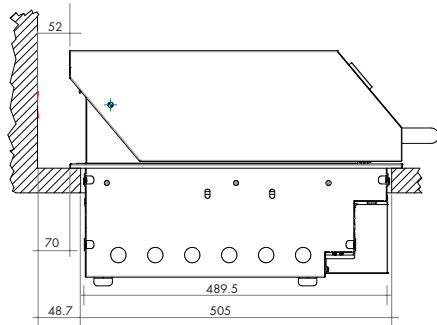
MODEL ABBQ1B



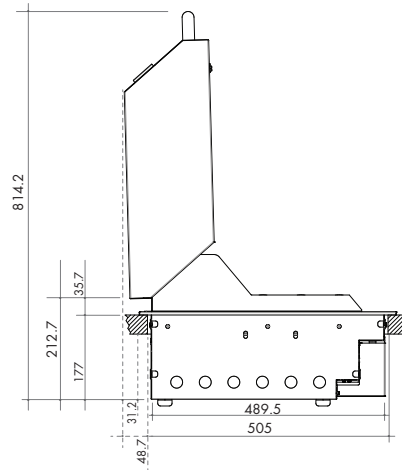
ALFRESCO RANGE- BUILT-IN BARBECUE



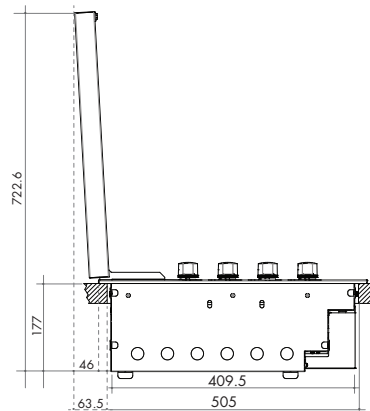
TECHNICAL DIAGRAM



ABBQ1BH Dimensions



ABBQ1BF Dimensions



NB: drawings are not to scale — they are to be used for detailed installation instructions, please refer to user guide.

ABBQ1B: EAN 9347777001795

ABHOOD: EAN 9347777001801

ABFLAT: EAN 9347777001818

AR061218

DISCLAIMER

Eurolinx PTY LTD, is continually seeking ways to improve the design specifications, aesthetics and production techniques of its products. As a result alterations to our products and designs take place continually. Whilst every effort is made to produce information and literature that is up to date, this brochure should not be regarded as an infallible guide to the current specifications, nor does it constitute an offer for the sale of any particular product. Product dimensions indicated in our literature is indicative only. Actual product only should be used to define dimension cut outs. Distributors, and retailers are not agents of Eurolinx and are not authorized to bind Eurolinx by any express or implied undertaking or representation.

ABBQ1B ALFRESCO RANGE-Built-in barbecue
Size 1046W x 540D x 177H
CUTOUT: 1025W x 505D

FOLLOW US ON: [instagram.com/artusi_appliances](https://www.instagram.com/artusi_appliances)

www.linkedin.com/company/eurolinx-pty-ltd-t-a-lve/

Australia National Telephone Number 1300 (694 583) New Zealand Telephone Number 64 3 344 5913
Artusi showroom hours: Tuesday to Friday - 9am-5pm, Saturday - 10am-4pm, Sunday and Monday - closed
* Melbourne showroom hours: Tuesday to Saturday - 10am-4pm

[artusi.com.au](https://www.artusi.com.au)

NSW & ACT (Head Office)
48-50 Moore Street
Leichhardt
F 02 8569 4699

VIC & SA
1211 Toorak Road
Camberwell
F 03 9809 2155

QLD
1/42 Cavendish Road
Coorparoo
F 07 3397 0850

WA & NT
Unit 10/55 Howe Street
Osborne Park
F 08 9201 9188

TAS
3 Pear Avenue
Derwent Park
F 03 6272 7386

New Zealand
PO Box 11,160
Sockburn Christchurch
F 03 344 5906

MODEL ACH12BBQ & ABC1B

ALFRESCO COMPANION PRODUCTS

Minimise grease and smoke when cooking on your barbecue with the Artusi twin-motor rangehood. Twin turbo motors combined with a custom designed ventilation system. Suitable for any size barbecue (up to 120cm wide).

**PRODUCT INFORMATION**

120cm Barbecue Rangehood

- Stainless steel
- 2 x 1000m³/hr airflow
- dual motors with 3 powerful air extraction speeds
- full stainless steel construction
- installation kit provided
- removable stainless steel baffle filters designed for maximum performance and easy cleaning
- 6 x LED lights will perfectly illuminate the cooking area
- wallmount installation
- twin duct outlets (one for each motor) for maximum performance
- motor: 2 x 218W

Designed for today's entertaining household, the Artusi outdoor bar fridge is the perfect party starter. Featuring 'party' and 'super cool' mode, your beverages can get as cool as -5°C.

**PRODUCT INFORMATION**

Bar Fridge

- Black triple glazed glass door
- 108 litres net
- 330ml bottles: 190, 500ml bottles: 110
- facing per shelf: 10 freestanding
- -5-10°C temperature range climate type: T,
- 43°C ambient R600A refrigerant
- ventilated cooling, auto defrost 3 retractable shelves
- touch control
- LED lighting
- heated glass door
- handle moulded onto door frame
- 'party' mode & 'super cool' mode
- door open alarm

For information on the above products, please visit artusi.com.au

AR061218

DISCLAIMER

Eurolinx PTY LTD, is continually seeking ways to improve the design specifications, aesthetics and production techniques of its products. As a result alterations to our products and designs take place continually. Whilst every effort is made to produce information and literature that is up to date, this brochure should not be regarded as an infallible guide to the current specifications, nor does it constitute an offer for the sale of any particular product. Product dimensions indicated in our literature is indicative only. Actual product only should be used to define dimension cut outs. Distributors, and retailers are not agents of Eurolinx and are not authorized to bind Eurolinx by any express or implied undertaking or representation.

FOLLOW US ON:  [instagram.com/artusi_appliances](https://www.instagram.com/artusi_appliances)

 www.linkedin.com/company/eurolinx-pty-ltd-t-a-llve/

Australia National Telephone Number 1300 (694 583) New Zealand Telephone Number 64 3 344 5913
 Artusi showroom hours: Tuesday to Friday - 9am-5pm, Saturday - 10am-4pm, Sunday and Monday - closed
 * Melbourne showroom hours: Tuesday to Saturday - 10am-4pm

artusi.com.au

NSW & ACT (Head Office)
 48-50 Moore Street
 Leichhardt
 F 02 8569 4699

VIC & SA
 1211 Toorak Road
 Camberwell
 F 03 9809 2155

QLD
 1/42 Cavendish Road
 Coorparoo
 F 07 3397 0850

WA & NT
 Unit 10/55 Howe Street
 Osborne Park
 F 08 9201 9188

TAS
 3 Pear Avenue
 Derwent Park
 F 03 6272 7386

New Zealand
 PO Box 11,160
 Sockburn Christchurch
 F 03 344 5906