

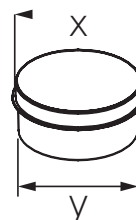
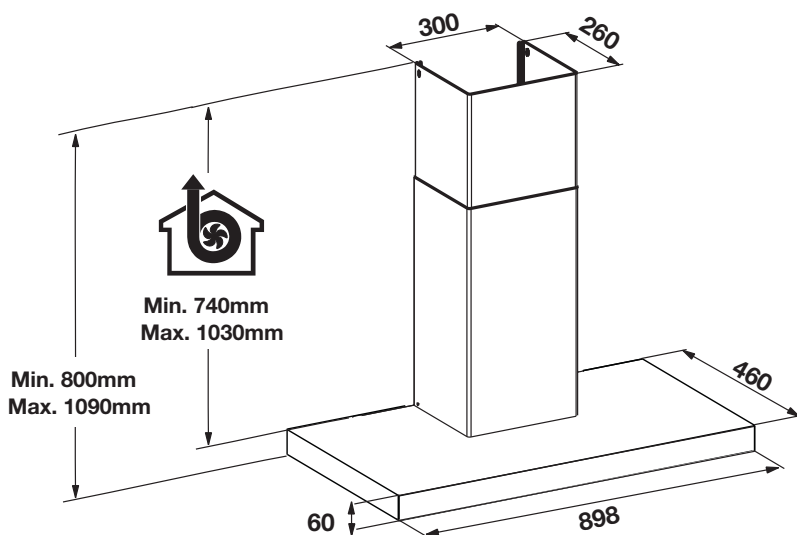
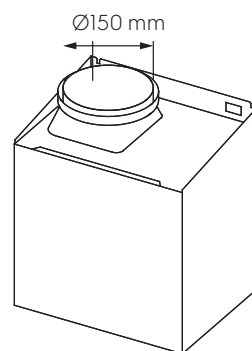
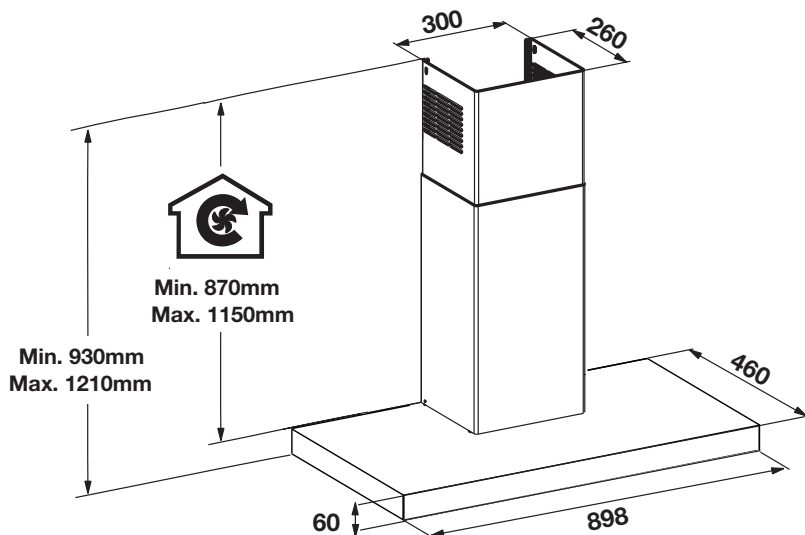
# Dimension Guide

## Rangehoods / Canopy

**Model:**  
ERC925DSD

### Dimensions

	width	height	depth
Duct diameter (mm)	150		
Product (mm)	898	60 (fascia)	460



x = Ø120 mm  
y = Ø150 mm

*Note: The fan housing air outlet is 150mm in diameter.*

\*Unless specified in rangehood installation details.

**Please note!** Dimensions to be used as a guide only. All customers MUST refer to the user manual supplied with the product for detailed installation instructions.

© 2019 Electrolux Home Products Pty Ltd. EDIM\_ERC925DSD\_Jan19