

Freestanding Quad Door Refrigerator Freezer , 90.5cm, 605L

Series 7 | Contemporary

Stainless Steel | French hinge

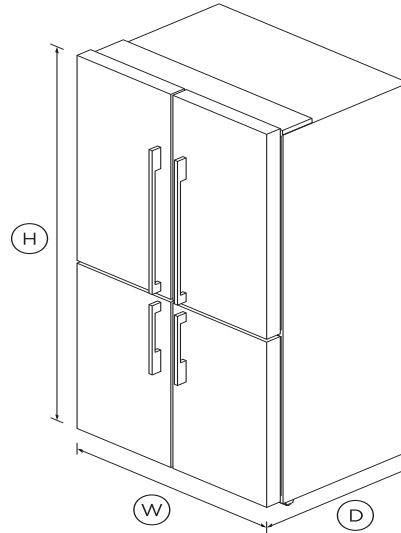


Featuring three separate compartments, including an independent Variable Temperature Zone, for unbelievably flexible storage.

- Variable Temperature Zone lets you change a compartment to Fridge, Chill, Soft Freeze or Freezer for optimal storage
- ActiveSmart™ technology helps keep food fresher for longer by constantly maintaining the ideal temperature.
- Spacious bottom freezer with easy-slide internal drawers to separate storage

DIMENSIONS

Height	1790 mm
Width	905 mm
Depth	688 mm



FEATURES & BENEFITS

ActiveSmart™ Foodcare

ActiveSmart™ Foodcare learns how you live. It is technology which understands how you use your refrigerator and adjusts temperature, airflow and humidity inside to help keep food fresher for longer.

Thoughtful design

Perfectly flat doors for a less intrusive fit in the kitchen, spill-proof glass shelving and beautiful lighting for great visibility inside.

Easy one-touch control panel

Situated conveniently, the control panel for the refrigerator, freezer and Variable Temperature Zone compartments allows you to view and modify the features and options to suit any occasion.

Flexible storage and access

Large compartments, adjustable internal storage and shelving are designed for your constantly changing needs.

Brilliant interior lighting

Bright LEDs light up each ceiling, shelf, bin and tray in both refrigerator and freezer, making it easy to find your food and create a welcoming glow in your kitchen.

Design quality

Our refrigerators are designed and built using quality materials. We use real stainless steel and solid glass for the interior shelving.

SPECIFICATIONS

Capacity

Freezer	115L
Refrigerator	375L
Total gross capacity	605L
Variable temperature	115L

Consumption

Energy rating	3.5 stars
Energy star rating	3.5
Energy usage	460kWh/year

Freezer features

Bottle chill	•
--------------	---

Door alarm	•
Fast freeze	•
Full extension clear bins	3
Ice bin and scoop	•
LED lighting	•

Performance

ActiveSmart™ Foodcare	•
ActiveSmart™ technology	•
Automatic defrost	•
Frost free freezer	•
Humidity control system	•
Inverter controlled compressor	•
R600a refrigerant	•
Sabbath mode	•
Variable temperature	•

Power Requirements

Supply voltage	220V
----------------	------

Product dimensions

Depth	688 mm
Depth (excluding handles)	688 mm
Height	1790 mm
Height to top of cabinet	1775 mm
Height to top of door	1790 mm
Minimum air clearance - at rear	30 mm
Minimum air clearance - each	20 mm
Minimum air clearance - on top	20 mm
Width	905 mm

Refrigerator features

Adjustable door shelves	6
Adjustable glass shelves	4
Covered door shelves	2
Door alarm	•
Front levelling feet	•
Fruit and vegetable bins	2
Full extension runners	•
Gallon door shelves	•
LED lighting	•
Rear rollers	•
SmartTouch control panel	•
Split level cantilevered shelves	2
Stackable bottle holders	4

Warranty

Parts and labour	2 years
Sealed system parts only	5 years

SKU	26093
-----	-------

TEST The product dimensions and specifications in this page apply to the specific product and model. Under our policy of continuous improvement, these dimensions and specifications may change at any time. You should therefore check with Fisher & Paykel's Customer Care Centre to ensure this page correctly describes the model currently available. ? Fisher & Paykel Appliances Ltd 2020

Other product downloads available at fisherpaykel.com

- [↓](#) User Guide
- [↓](#) Service & Warranty Booklet
- [↓](#) Resources (zip)



A PEACE OF MIND SALE

24 Hours 7 Days a Week Customer Support

T 1300 650 590 Wwww.fisherpaykel.com